

CLIENT INFORMATION

SEAL

REVISIONS

NO.	DATE	DESCRIPTION
A	9/17/08	BID WALK THRU SET
C	07/06/09	ISSUE TO DOB
D	03/12/10	FIELD MODIFICATIONS PER ENERGY CONCEPTS

ST. JOACHIM & ANNE
 2720 SURF AVENUE
 BROOKLYN, NY 11224

ENERGY CONSERVATION

PROJECT NAME

SCALE

PHASE

COMBINED HEAT &
 POWER PLAT FLOW
 SCHEMATIC

DRAWING TITLE

08003-m301.dwg	CLK
DRAWING FILE	DRAWN BY
08003	CV
PROJECT NO.	CHECKED BY
4/10/2008	WHC
DATE	PROJ. MANAGER

©2008 INTEGRATED ENERGY CONCEPTS ENGINEERING, P.C.

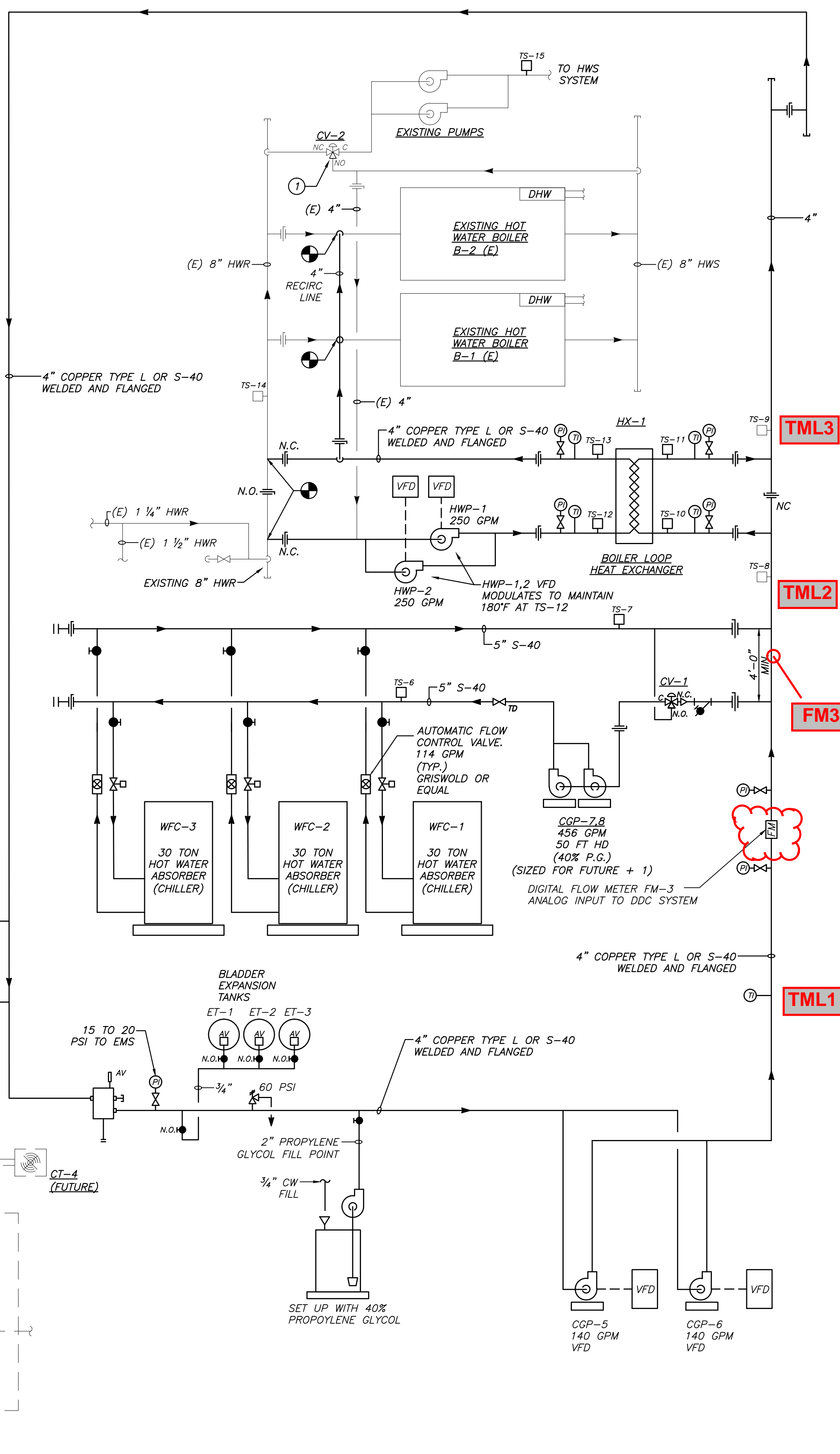
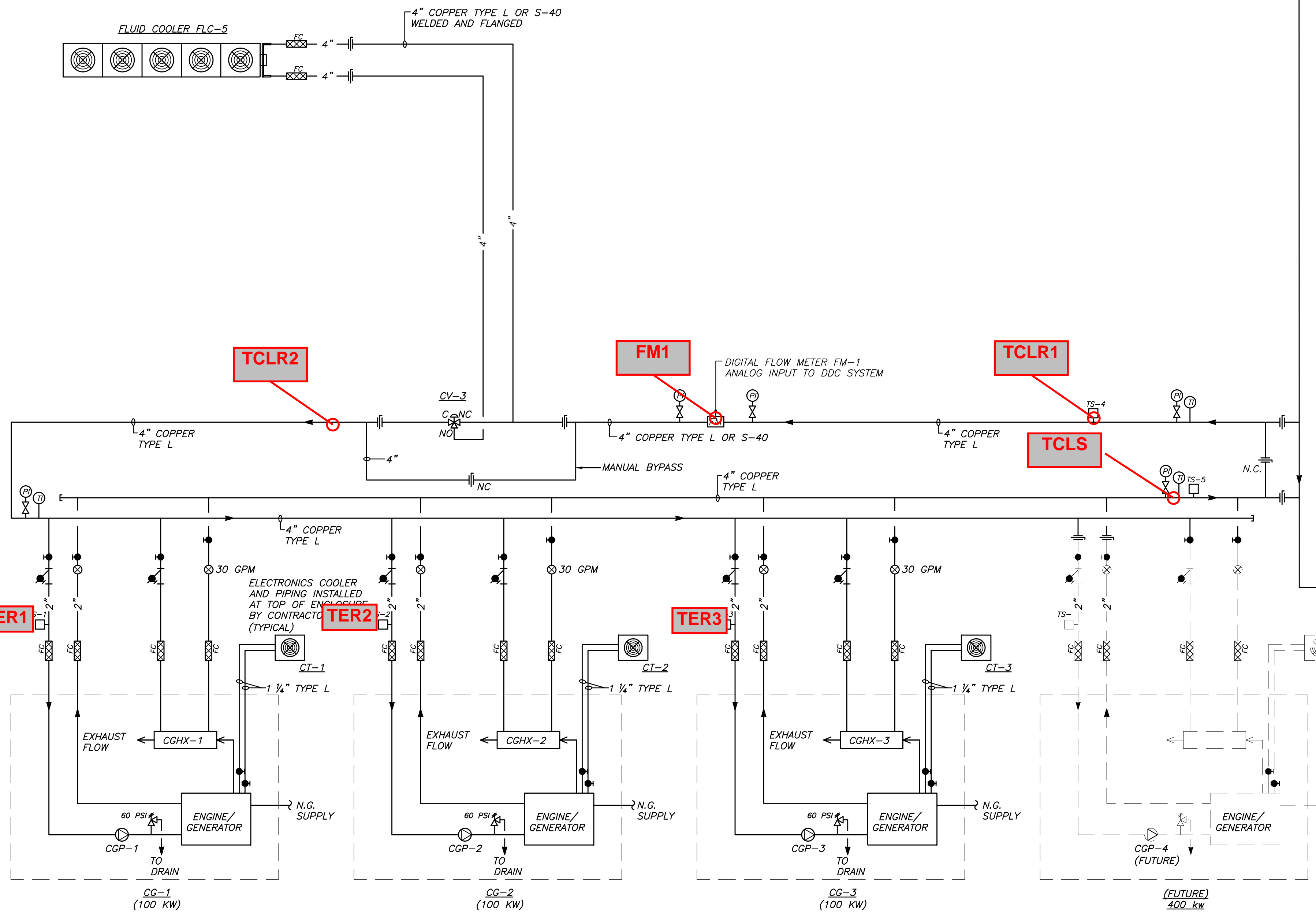
M3.01

DRAWING NO.

INSTALLATION NOTES:

- EXISTING 3-WAY CONTROL VALVE OPERATOR TO BE REPLACED FOR ANALOG OUTPUT MODULATING CONTROL OF 3-WAY VALVE.
- GENERAL UNIT ARRANGEMENT SHOWN. SEE MECHANICAL DETAILS AND SPECIFICATIONS FOR FULL PIPING AND FIT UP REQUIREMENTS.

Web site heat transfer calcs:
 $QU = 0.480 \times FM1 \times (TCLS - TCLR1)$
 $QD = 0.480 \times FM1 \times (TCLR1 - TCLR2)$



TECOGEN CM-100
 WITH ECS (CATALYTIC CONVERTER)
 732 MBH HEAT REJECT.
 30 GPM
 180°F EWT
 230°F LWT
 (TYP. OF 3)

TOTAL BID
 300 kW
 2,196 MBH HEAT REJECT.
 90 GPM
 180°F EWT
 230°F LWT