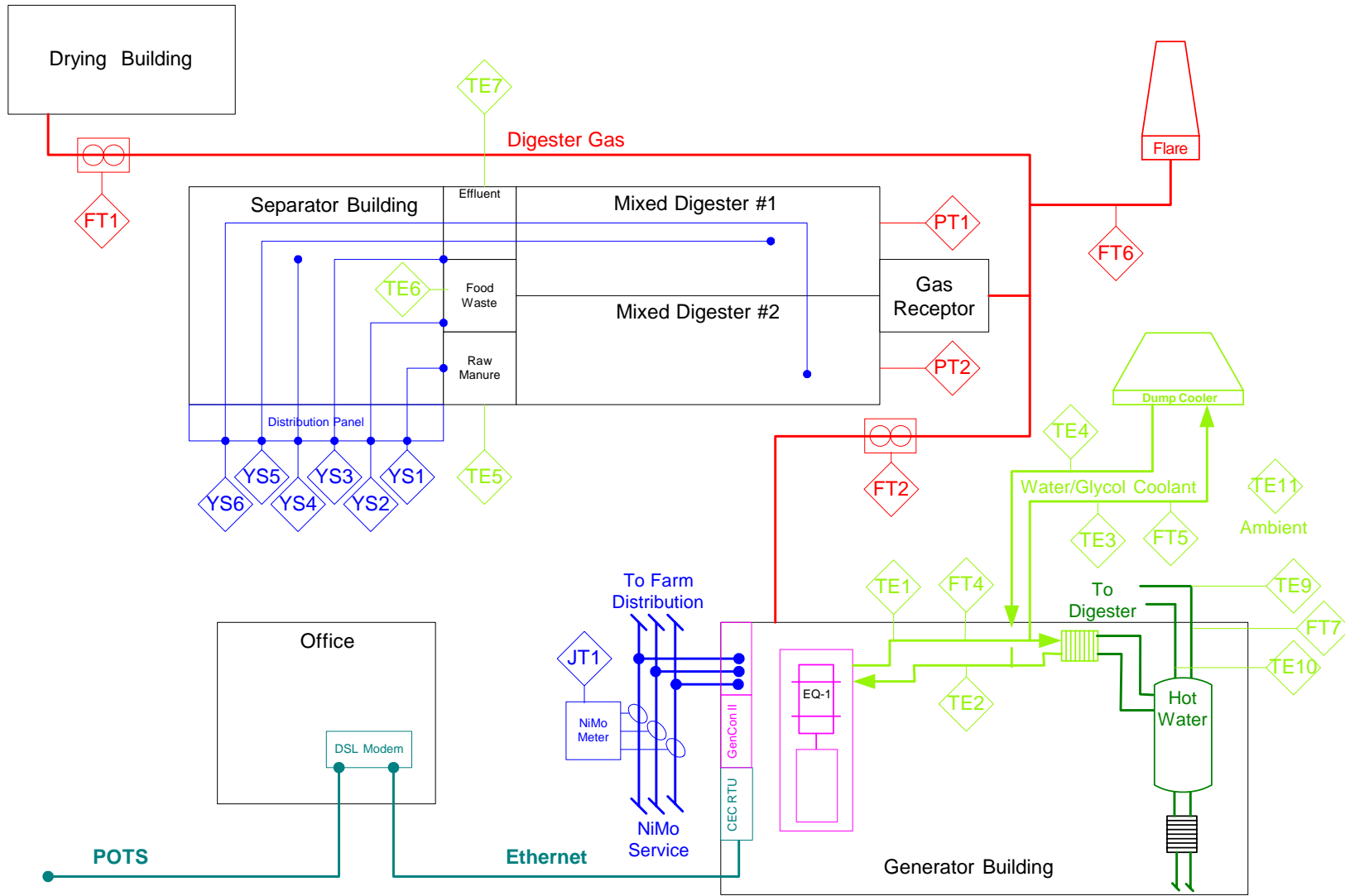


# Site Schematic Diagram



TITLE	DESCRIPTION	DATE
P&ID	Matlink Farm	5/25/2004